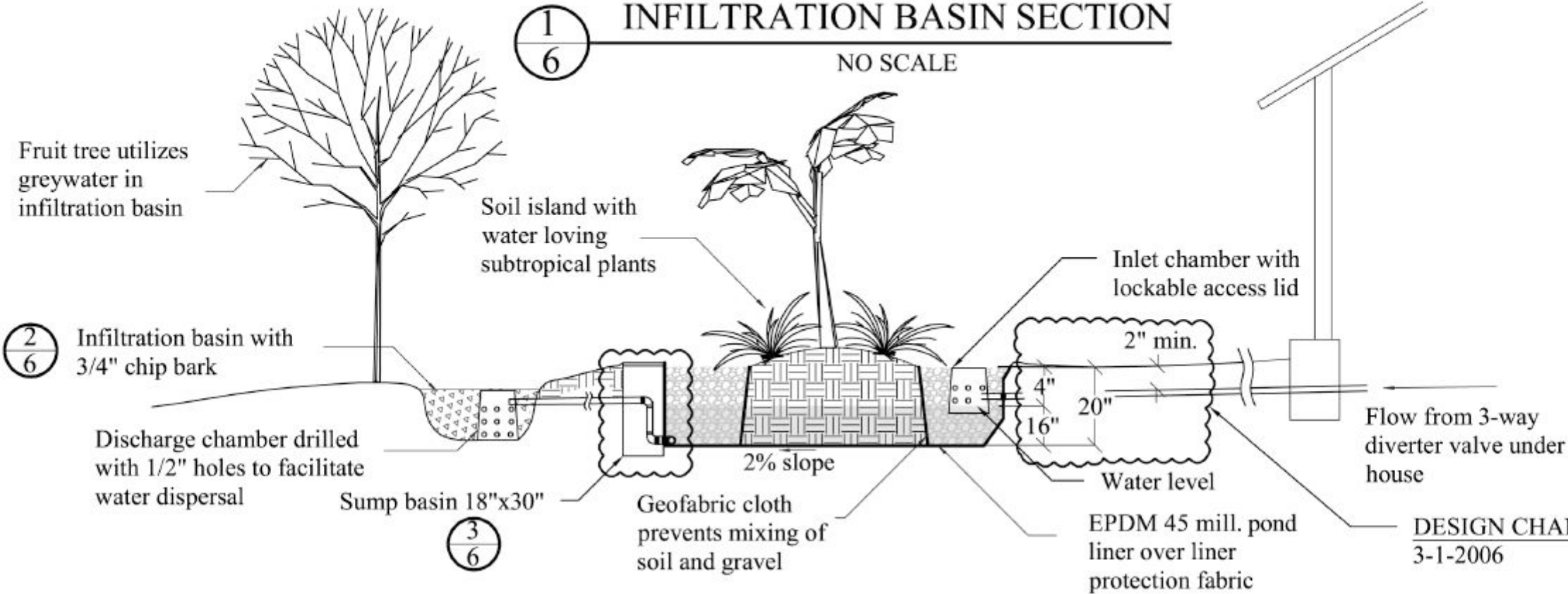


CONSTRUCTED WETLAND & INFILTRATION BASIN SECTION

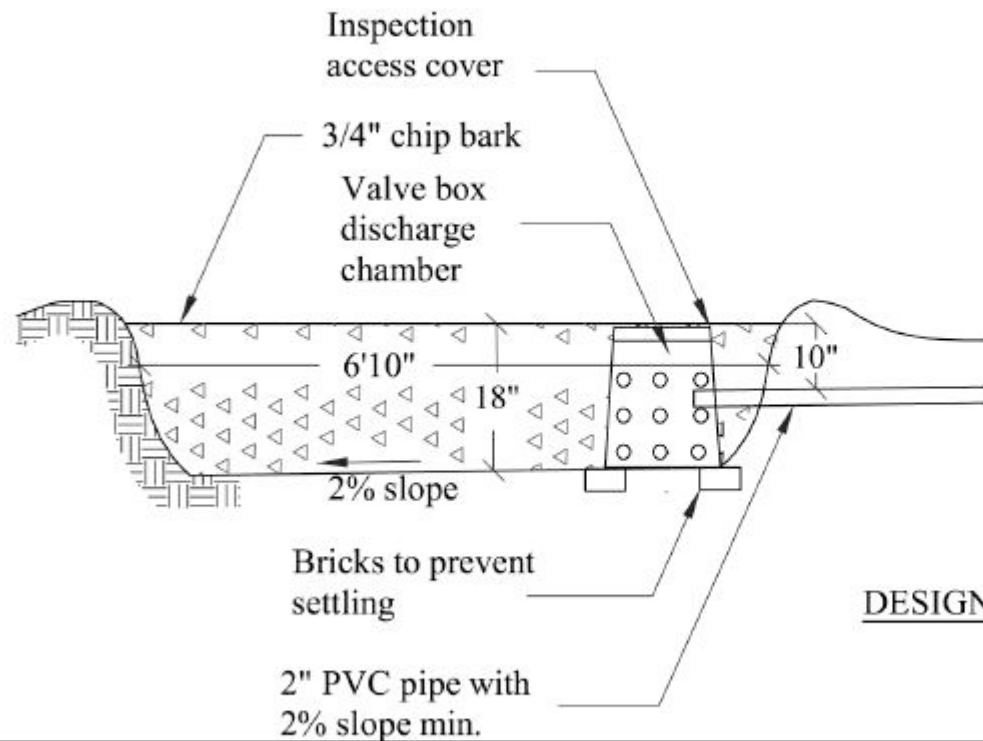
NO SCALE



DESIGN CHANGE #2
3-1-2006

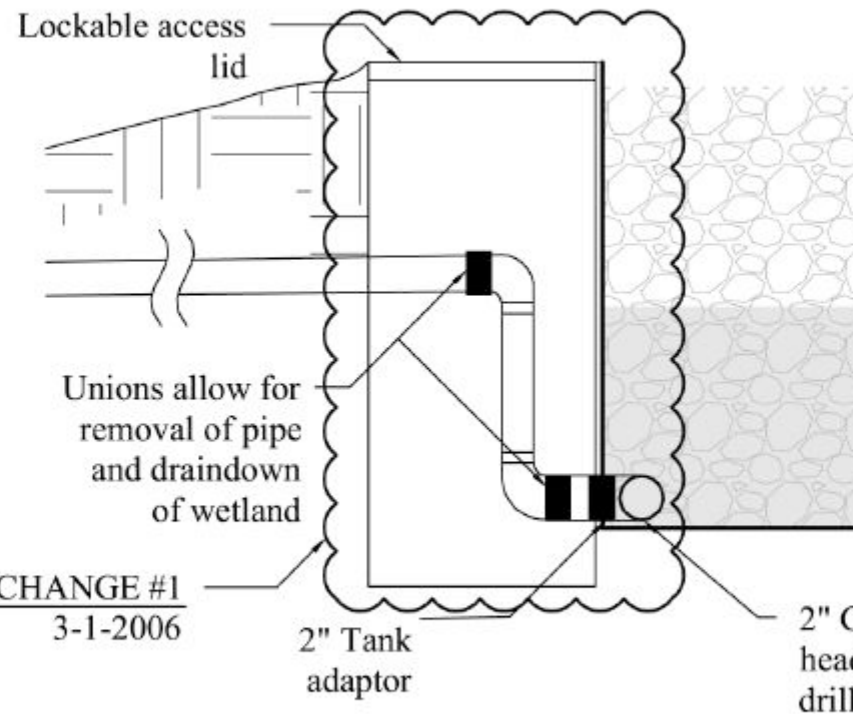
2 INFILTRATION BASIN

NO SCALE



3 SUMP BASIN

NO SCALE



DESIGN CHANGE #1
3-1-2006

CONSTRUCTED WETLAND SPECIFICATIONS

The constructed wetland is constructed of 45 mill. EPDM pond liner to prevent loss of water into surrounding soil. The constructed wetland cleans the greywater to secondary effluent standards. The constructed wetland has a 3-way diverter valve and backwater valve on inlet pipe, overflows to infiltration basins, vents through gravel surface, has lockable access covers, and tank adapter connections to piping.

Wetland capacity: 183 Gallons
Water retention time: 2.0 days @75 GPD

Lindy Construction
895 59th St.
Oakland, CA 94608
ph (510) 757-6605
fax (510) 595-8236

DIG CITY INC.
879 Aileen Street
Oakland, California 94608
www.digcity.coop
510-541-7278

Ecological Design Cooperative
P.O. Box 402
4035 Judah Street
San Francisco, California 94122
Ecodesigncoop@gmail.com



Greywater System Section

BERKELEY ECOHOUSE
1305 Hopkins St.
Berkeley, California

Greywater System Permit Set

DATE	JULY 2006
SCALE	AS SHOWN
DESIGN	John Russell
DRAWN	John Russell
SHEET	6 OF 7
PROJECT	-